



MOST SUITABLE FOR MILLING MACHINE
最適合傳統銑床、精密加工使用

MODEL ● 10030150 HB-150

Very good quality vise



ISO9001:2008

FEATURES :

1. Excellent for Milling Machine.
2. Rigid material-Ductile iron FCD60JIS (Equal to GGG60) with 60 kgs/mm² or 80,000 PSI tensile strength.
3. Vise bed flame hardened to HRC 45° and up takes up wear and maintain accuracy for long.
4. Main body without slot for preventing chip falling into inside of vise.
5. Main screw design on wheel, available for driving the movable by hand.

特性：

1. 銑床用精密虎鉗
2. 強而有力材質~虎鉗本台使用高抗張拉力球狀石墨化鑄鐵 (FCD60~60 kgs/mm²)或(80,000 PSI)抗張力強，不易變形。
3. 虎鉗本台滑動面均經硬化熱處理HRC45°以上，可保持長久耐磨性及精度。
4. 虎鉗本台滑動面無溝槽，以防鐵屑侵入虎鉗內部。
5. 螺桿尾端設計一手輪，以利用手輕易轉動活動鉗口。

高精度！
高夾力！
高壽命！



HB-150

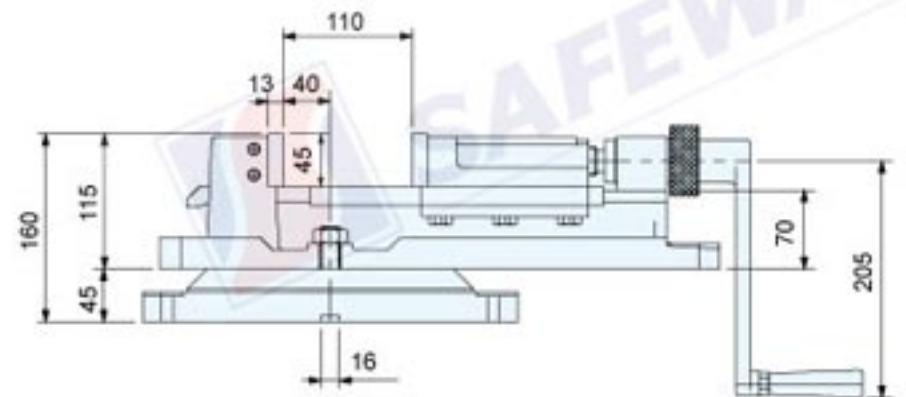
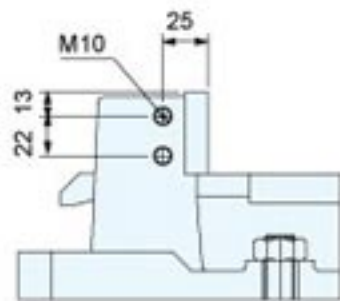
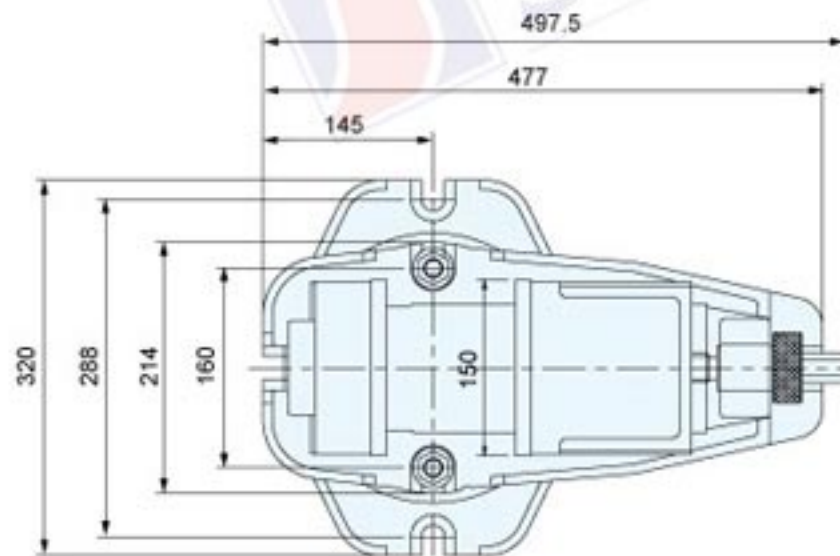


HB



B-TYPE PRECISION MACHINE VISE
B型精密虎鉗

DIMENSIONS / 尺寸圖



SWIVEL BASE / 迴轉盤

MODEL • 07804150 SB-150



Standard Accessories

1. Handle x 1 pc
2. Guide key x 2 pcs (16mm)
M6 x 10L x 2 pcs



標準附件

1. 把手1組
2. 導正鍵2只 (16mm)
(M6 x 10L) 螺絲 x 2支

Optional Accessories

1. Swivel base
2. T-bolts / Nut x 2 pcs

特殊附件

1. 迴轉盤
2. T型螺柱 / 螺帽 x 2組

NO	TEST ITEM / 檢查事項	JIS grade 1. JIS 1級	Guaranteed 許可精度
1	Surface of vise bed parallel to bottom of vise body. 虎鉗底部與滑動面之平行度	0.020 100mm	0.010 100mm
2	Clamping surface of jaw plate perpendicular to vise bed, the angle always being less than 90° 虎口之直角度(<90°)	0.050 100mm	0.030 100mm
3	Block of vise bed parallel to bottom of vise body. 工件夾緊之平行度	0.030 100mm	0.020 100mm
4	Keyways on bottom of vise bed square to clamping surface of jaw plate. 虎鉗底部鍵槽與虎口板之直角度	0.020 100mm	0.015 100mm
5	Keyways on bottom of vise bed Parallel to clamping surface of jaw plate. 虎鉗底部鍵槽與虎口板之平行度	0.020 100mm	0.015 100mm
6	Both jaw plate parallel 兩虎口板相互平行度	0.020 100mm	0.020 100mm

