



STRONG TAILSTOCK / 圓盤式尾座

- 30002170 MODEL: SRT-170F
- 30002217 MODEL: SRT-217F

- 30002256 MODEL: SRT-256F
- 30002322 MODEL: SRT-322F

FEATURES:

- Suitable for bridge device and heavy duty capacity.
- Rapid brake capacity torque.

特性:

- 適合搭配構式設計重切削
- 本身有碟式煞車系統



SRT-170F
N.W.: 26 kg



SRT-217F
N.W.: 43 kg

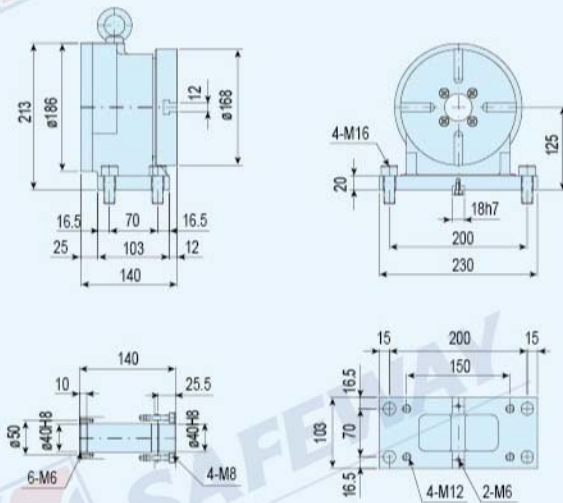


SRT-256F
N.W.: 60.3 kg

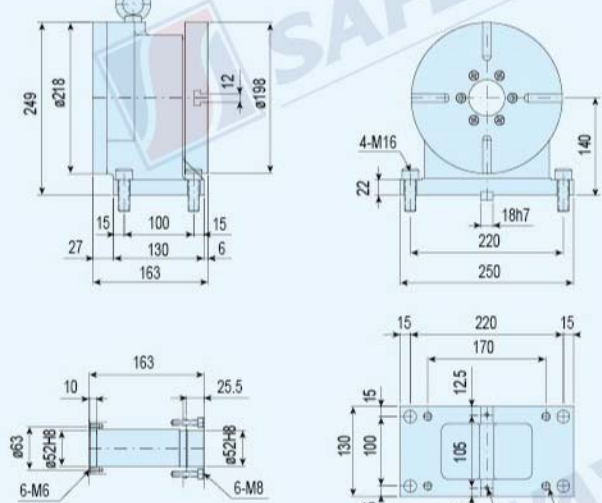


SRT-322F
N.W.: 111 kg

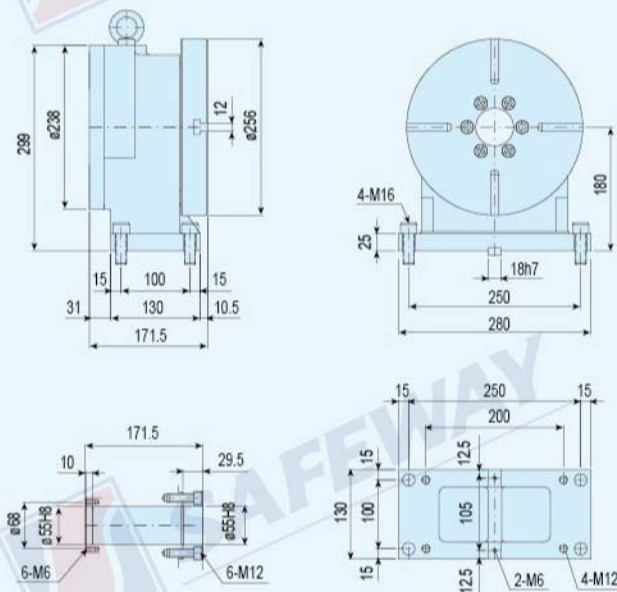
SRT-170F



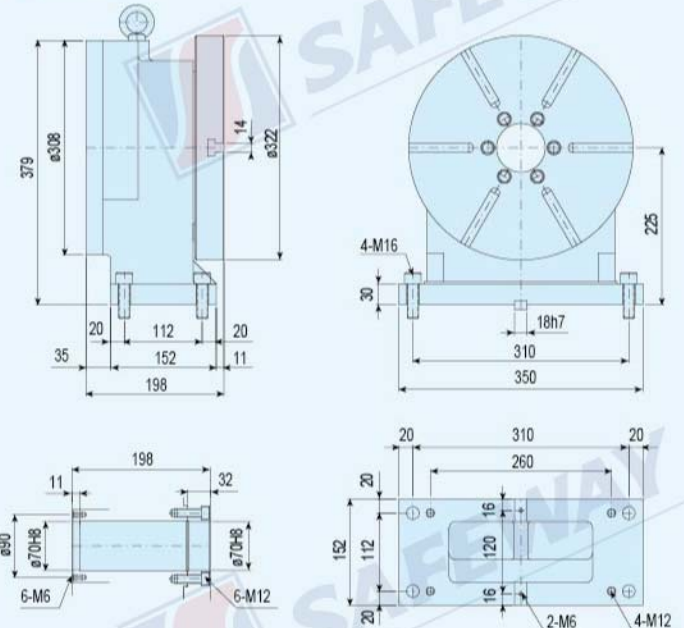
SRT-217F



SRT-256F



SRT-322F





LIVE CENTER TAILSTOCK (MANUAL) / 頂針式尾座 (手動)

- 30004170 MODEL: SRT-170TM
- 30004217 MODEL: SRT-217TM
- 30004256 MODEL: SRT-256TM
- 30004322 MODEL: SRT-322TM



SRT-170TM
N.W.: 15 kg

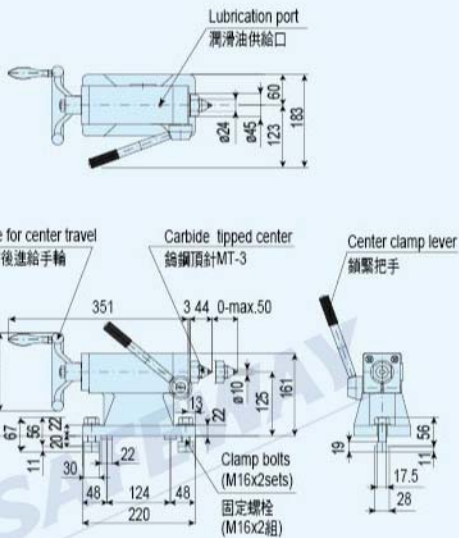
SRT-217TM
N.W.: 18.5 kg



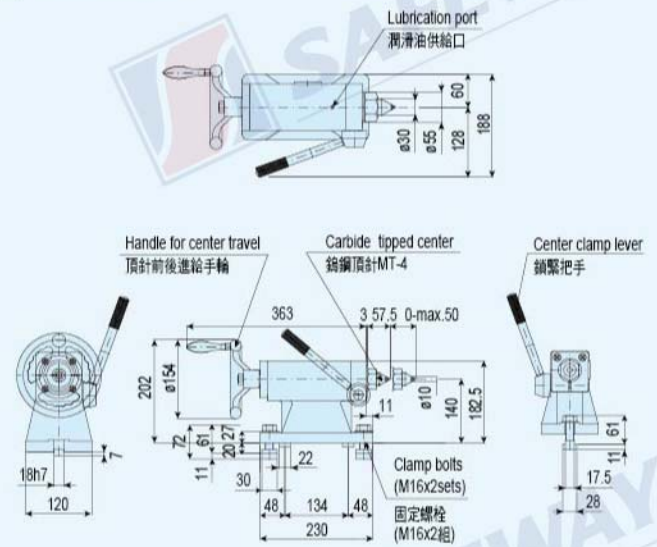
SRT-256TM
N.W.: 22.75 kg

SRT-322TM
N.W.: 25 kg

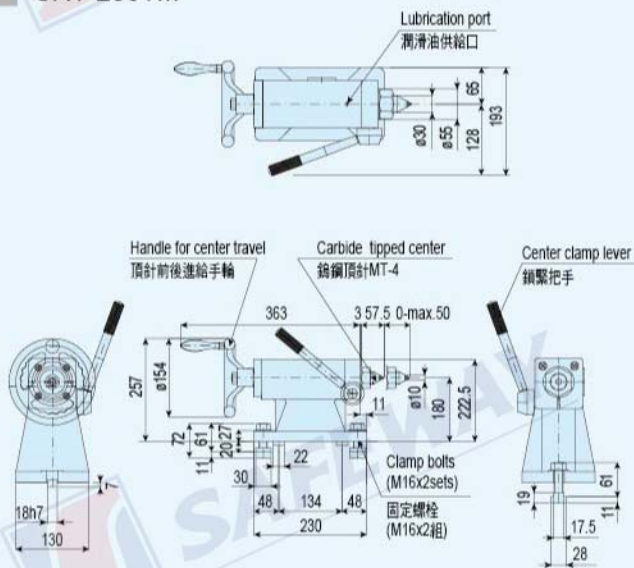
SRT-170TM



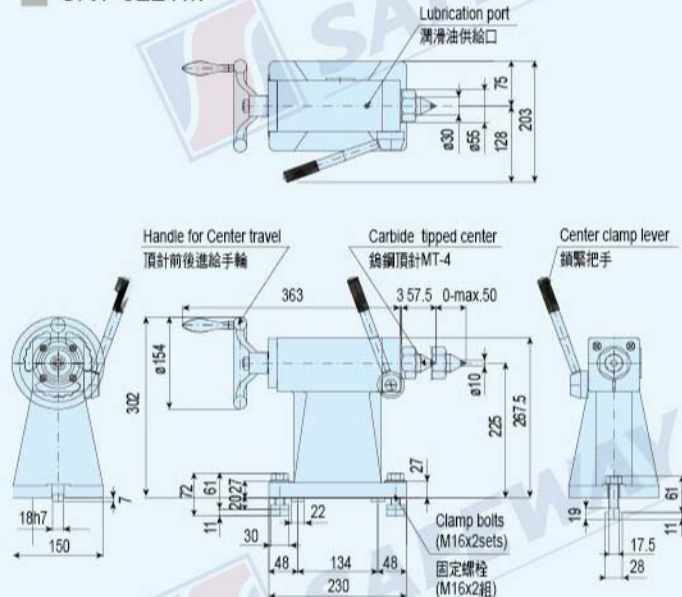
SRT-217TM



SRT-256TM



SRT-322TM





LIVE CENTER TAILSTOCK (PNEUMATIC) / 頂針式尾座 (氣壓)

- 30006170 MODEL: SRT-170TP
- 30006217 MODEL: SRT-217TP
- 30006256 MODEL: SRT-256TP
- 30006322 MODEL: SRT-322TP



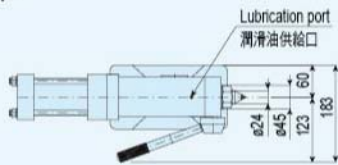
SRT-170TP
N.W.: 16.5 kg

SRT-217TP
N.W.: 26 kg

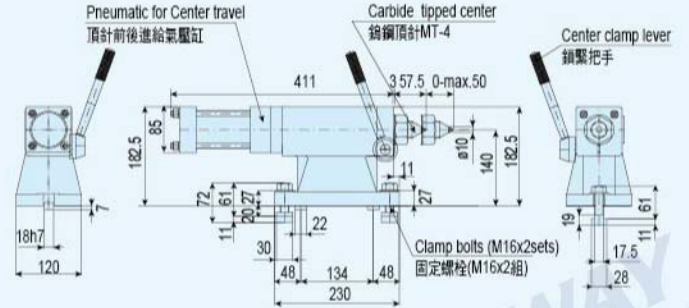
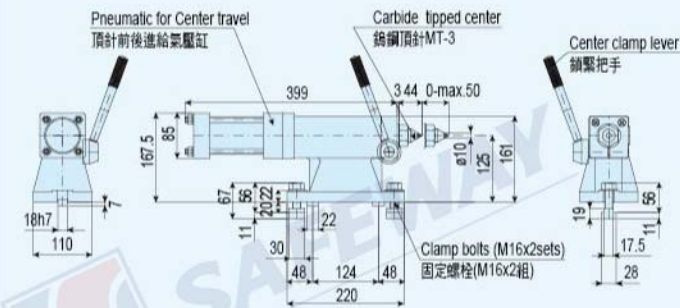
SRT-256TP
N.W.: 30.25 kg

SRT-322TP
N.W.: 32.25 kg

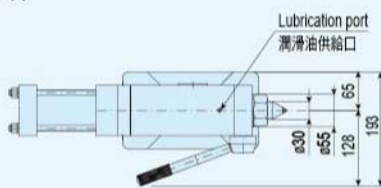
SRT-170TP



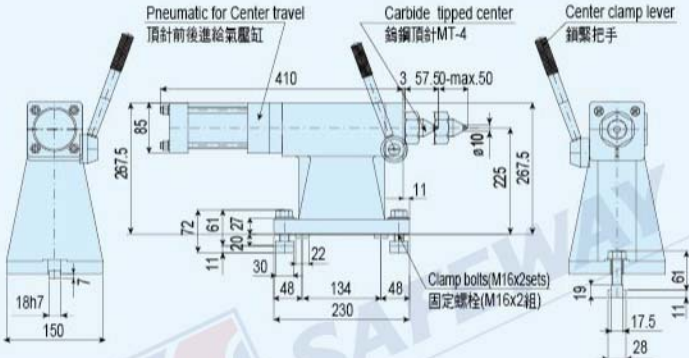
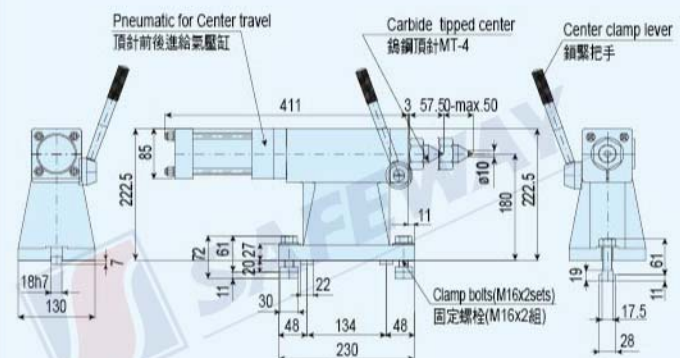
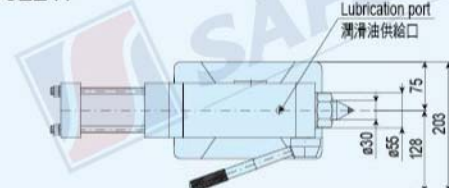
SRT-217TP



SRT-256TP



SRT-322TP





LIVE CENTER TAILSTOCK (HYDRAULIC) / 頂針式尾座 (油壓)

- 30008170 MODEL: SRT-170TH
- 30008217 MODEL: SRT-217TH
- 30008256 MODEL: SRT-256TH
- 30008322 MODEL: SRT-322TH



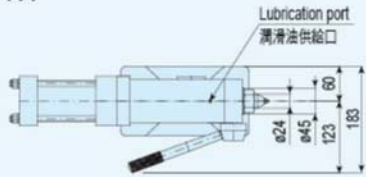
SRT-170TH
N.W.: 15.5 kg

SRT-217TH
N.W.: 25.75 kg

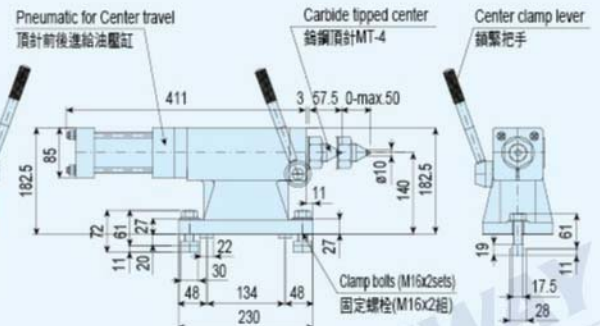
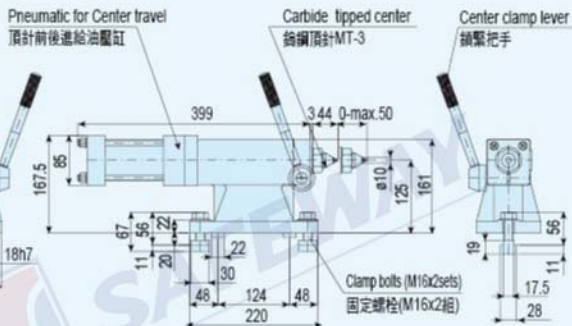
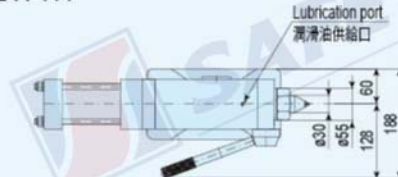
SRT-256TH
N.W.: 30kg

SRT-322TH
N.W.: 32.25 kg

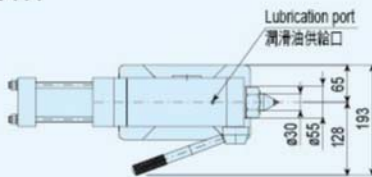
SRT-170TH



SRT-217TH



SRT-256TH



SRT-322TH

