



**MOST SUITABLE FOR VERTICAL MACHINE CENTER**

最適合立式綜合切削加工機，銑床使用

MODEL • 07712130 TSB-130T • 07712200 TSB-200T  
• 07712160 TSB-160T

MODEL • 07714100 TSB-100U • 07714160 TSB-160U  
• 07714130 TSB-130U • 07714200 TSB-200U



EXAMPLE A / 範例 A (0~45°)

EXAMPLE B / 範例 B (0~45°+0~360°)



The T-slot on table could fasten the work piece to carry out 0~45° and 2 dimension angle machining.

工作台上T型槽，可以直接固定工件，亦可裝上虎鉗做0~45°斜度加工，可以達2度空間角度加工。

This type can only be fitted with vise for 0~45° tilt adjustment. The vise can be tuned from 0~360° to perform 3 dimension angle work.

此種型式只能裝上虎鉗，其可以0~45°做傾斜調整，其虎鉗亦可0~360°角度任意調整，以達3度空間角度加工。

**FEATURES :**

- The universal tilt working table is suitable for MC machining center, milling machine, EDM and other special machines to carry out tilt processing operation.
- Slant degree is between 0~45°. Angle can be fine tuned with worm and worm gear.
- Each fine-tuning scale equals 2 degree. The smallest scale is 60 seconds with another 1/60-second marks on the secondary scale.
- The body is made of steel with high rigidity. Sliding surface is heat treatment and processed with fine grinding.
- Once the tuning is fixed and properly fastened, heavy duty can be performed. There will be no loss of accuracy caused by heavy duty work.
- This universal tilt working table can be categorized into two types:  
A) Working table with T-slot which can lock work piece for heavy duty machining. (0~45° adjustable angle)  
B) Working table which can be in-cooperated with vise for heavy duty machining. (Adjustable 0~45° working table and 0~360° vise rotary angle)

**特性:**

- 萬能傾斜工作台，適用於MC綜合切削加工機、銑床、放電加工機，或其他特殊機械做傾斜加工用。
- 傾斜角度可從0~45°任意調整，角度調整設計有渦桿、渦輪，可微調精密角度。
- 微調刻劃每一圈為2°，最小刻劃為1分，副尺再刻有60秒。
- 整台剛性結構極佳，並全部採用鋼材製造，滑動面經熱處理，精密研磨。
- 角度微調並鎖定之後，可做重切削加工，其精度不因重切削而使角度精度流失。
- 本萬能傾斜工作台分兩種型式：  
A. 工作台設有T型槽，可將工件直接固定在工作台面，直接做重切削加工。(調整角度0~45°)。  
B. 工作台面可直接連結協威製虎鉗來夾緊工件，來做重切削加工。(調整角度0~45°，虎鉗迴轉角度0~360°)。



**MC TILT TABLE ( WHOLE STEEL )**  
**MC 精密型 / 傾斜工作台 (全鋼製)**

OPERATION / 角度調整使用說明圖例:

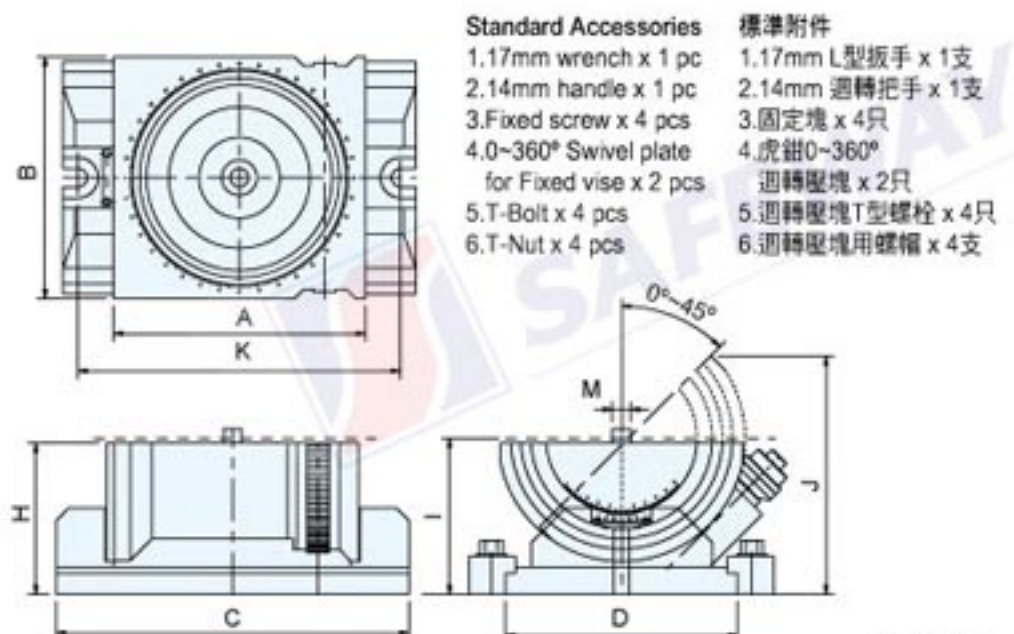
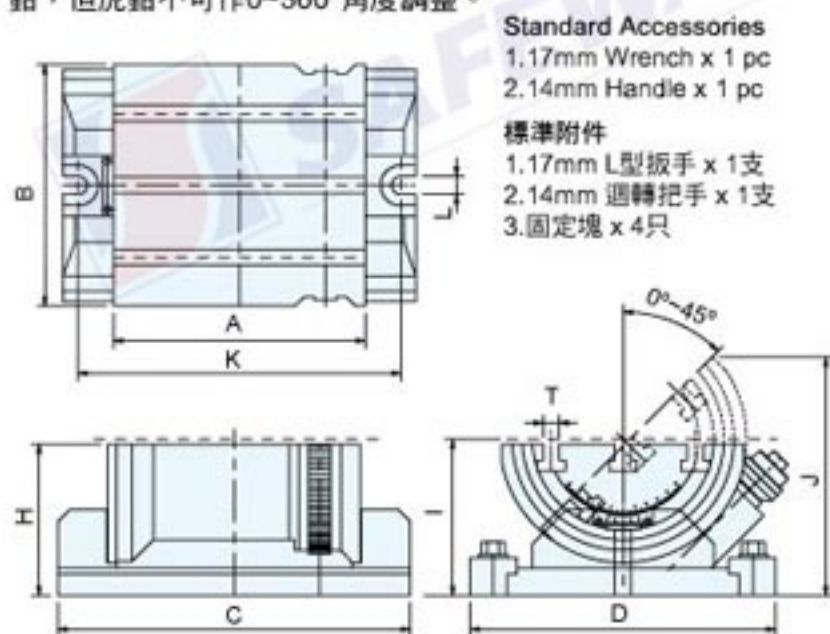
<p>1 Use hex. head wrench to loose the fixed screw. 首先用六角扳手，將固定螺絲鬆開。</p>	<p>2 Adjust to the right angle by means of the handle and use angle scale (Fig. 4) and secondary scale (Fig. 3) to get the correct angle. 利用把手順時鐘旋轉至所需角度，並利用角度主尺(圖3所示)及副尺(圖4所示)可調整至精確角度。</p>	<p>3 Angle scale (min. scale 1 degree and 1 second) 角度主尺(最小顯示1°及1分)</p>
<p>4 The secondary scale (2 degree for each round. Min. mark 10 second) 角度副尺(每轉一圈2°可最小顯示1分)</p>	<p>5 After the fine-tuning, use hex. wrench to fasten the fixed screws. It is now ready for heavy duty machining. 角度已調整好之後，再用六角扳手將2支固定螺絲固定好，此時角度已固定好，可進行切削加工。</p>	<p>6 0~ 360° adjustment. Insert vise into the slot and turn to the right angle to fasten the vise. 0~360° 調整，將虎鉗放入直銷內，並轉至所需角度壓塊將虎鉗固定。</p>

MODEL • 07712130 TSB-130T • 07712200 TSB-200T  
• 07712160 TSB-160T

MODEL • 07714100 TSB-100U • 07714160 TSB-160U  
• 07714130 TSB-130U • 07714200 TSB-200U

This model can fasten the work piece directly on to the working table and carry out 0~45° machining. It can in cooperated with vise which can't be adjusted within 0~360°.  
此機種可直接工件固定工作桌面上，作傾斜0~45°加工，亦可裝上虎鉗，但虎鉗不可作0~360°角度調整。

This model must be fitted with vise made by Safeway. Working table can be tilted 0~45° degree and vise can be turned around 0~360° degree.  
此機種必須裝上協威所製系列虎鉗於工作台面，工作台可從0~45°傾斜，虎鉗亦可0~360°任意迴轉。



Unit: mm

Order NO. 訂購編號	Model 型號	A	B	C	D	H	I	J	K	L	T	Title angle 傾斜角	N.W. 淨重	G.W. 毛重	Shipment Size 裝箱尺寸	Remark 備註
07712130	TSB-130T	200	196	300	180	122	127	192	270	18	18	0~45°	30kg			
07712160	TSB-160T	250	240	350	230	150	155	236	320	18	18	0~45°	55kg			
07712200	TSB-200T	290	280	410	255	174	179	274	370	18	18	0~45°	88kg			
Order NO. 訂購編號	Model 型號	A	B	C	D	H	I	J	K	M	Title angle 傾斜角	Swivel angle 迴轉角	N.W. 淨重	G.W. 毛重	Shipment Size 裝箱尺寸	Remark 備註
07714100	TSB-100U	200	196	300	180	122	127	192	270	16	0~45°	0~360°	38kg			
07714130	TSB-130U	200	196	300	180	122	127	192	270	18	0~45°	0~360°	38kg			
07714160	TSB-160U	250	240	350	230	150	155	236	320	18	0~45°	0~360°	58kg			
07714200	TSB-200U	290	280	410	255	174	179	274	370	18	0~45°	0~360°	90kg			